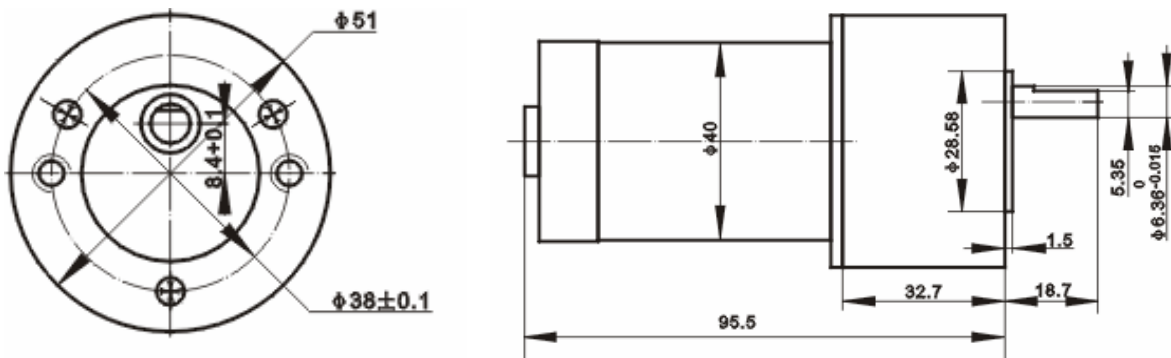


The PMDC motor has such features: small-volume, high efficiency, low noise, low temperature rise. The motor is widely used in instruments and meters, medical apparatus and instruments, miniature electric tool and house-hold electrical appliances as driving motors.



Type	Rated voltage V	No-load speed r/min	Rated current A	Rated torque mN.m	Rated speed r/min	Rated power W
40ZY24-10/54JB82H06	24	56	1,3	2268	42	10

40ZY/54JB ratio range: 1:5,9 - 1:387